

## Thursday 15 October 2020 – Morning

### A Level Physics B (Advancing Physics)

#### H557/02 Scientific literacy in physics

**Time allowed: 2 hours 15 minutes**

**You must have:**

- a clean copy of the Advance Notice Article (inside this document)
- the Data, Formulae and Relationships Booklet

**You can use:**

- a scientific or graphical calculator
- a ruler (cm/mm)



Please write clearly in black ink. **Do not write in the barcodes.**

Centre number

--	--	--	--	--

Candidate number

--	--	--	--

First name(s)

---

Last name

---

### INSTRUCTIONS

- Use black ink. You can use an HB pencil, but only for graphs and diagrams.
- Write your answer to each question in the space provided. If you need extra space use the lined pages at the end of this booklet. The question numbers must be clearly shown.
- Answer **all** the questions.
- Where appropriate, your answer should be supported with working. Marks might be given for using a correct method, even if your answer is wrong.

### INFORMATION

- The total mark for this paper is **100**.
- The marks for each question are shown in brackets [ ].
- Quality of extended response will be assessed in questions marked with an asterisk (\*).
- This document has **28** pages.

### ADVICE

- Read each question carefully before you start your answer.

2  
SECTION A

Answer **all** the questions.

1 A student connects the circuit shown in Fig. 1.1.

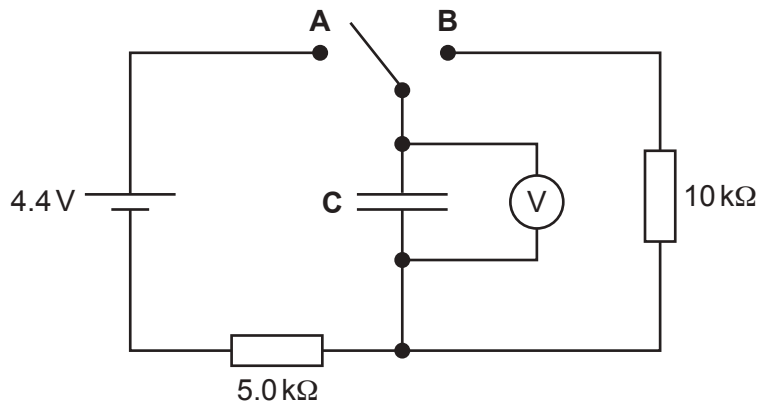


Fig. 1.1

The student uses a data logger to take readings of p.d. over time when the switch is put in position **A**. She obtains the results displayed in Fig. 1.2.

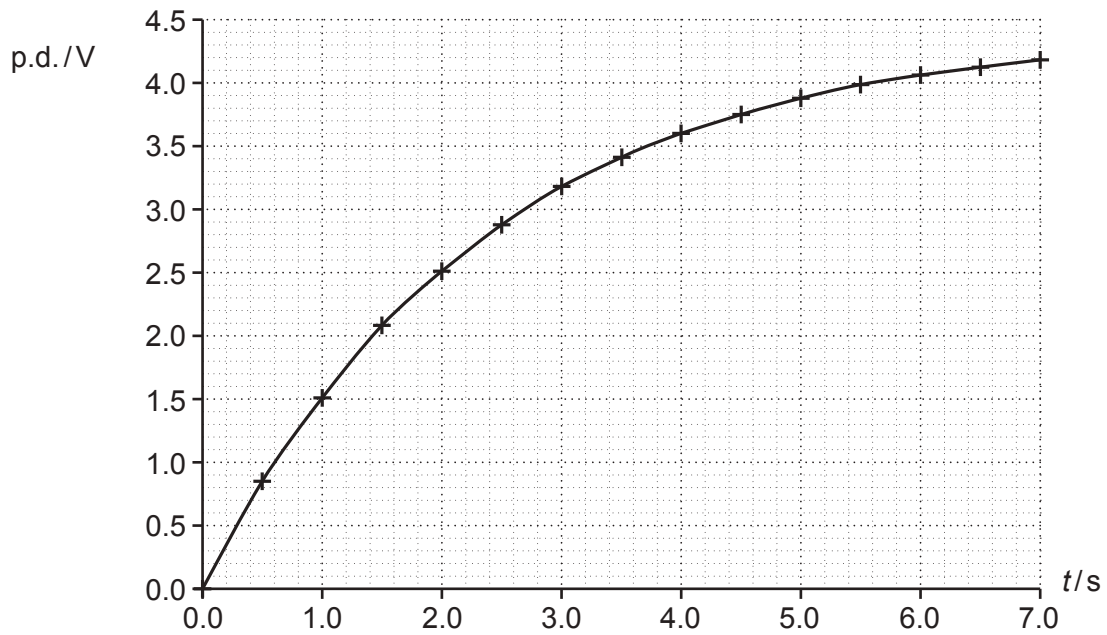


Fig. 1.2

(a) (i) Suggest why the student chooses to use a data logger rather than a digital meter.

.....

.....

..... [1]

(ii) Use data from the graph to show that the capacitance of **C** is about  $500\ \mu\text{F}$ .

[3]

(iii) Calculate the energy stored in the capacitor when the p.d. across it is  $4.2\text{V}$  (at  $t = 7.0\text{s}$ ).

energy = ..... J [2]

(b) (i) When the capacitor is charged to  $4.2\text{V}$ , the student resets the data logger to  $t = 0.0\text{s}$  and moves the switch from position **A** to position **B**.

Draw a line on **Fig. 1.2** to show how the p.d. across the capacitor will change from  $t = 0.0\text{s}$  to  $t = 7.0\text{s}$ . Explain your reasoning.

.....  
.....  
.....  
.....  
..... [3]

(ii) Calculate the time from the beginning of the discharge for the energy stored on the capacitor to fall to half its value.

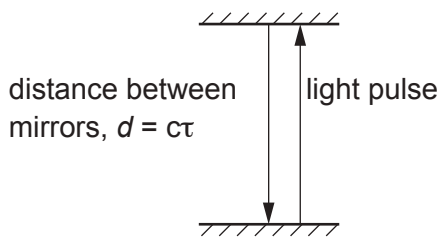
time = ..... s [3]

- 2 Albert Einstein published his theory of Special Relativity in 1905. Central to the theory is the statement that the speed of light is constant for all observers.

A passenger on a train is holding a 'light clock'. This is a pair of mirrors with a pulse of light bouncing between them as shown in **Fig. 2.1**. The distance between the mirrors can be measured in 'light seconds', the distance covered by light in one second.

In **Fig. 2.1**, this distance  $d = c\tau$  where  $c$  is the velocity of light and  $\tau$  is the time taken for the pulse to travel from the bottom mirror to the top mirror, as measured by the passenger holding the light clock.

One 'tick' of the light clock is the time for the pulse to travel to the top mirror and back ( $2\tau$ ).



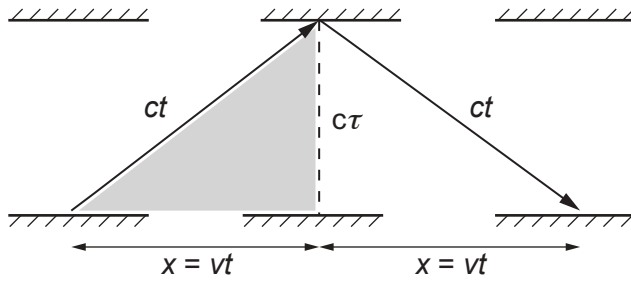
Light beam observed by the passenger on the train.

**Fig. 2.1**

- (a) The mirrors are a distance of 0.80 m apart. Calculate this distance in light seconds.

distance = ..... light seconds  
[1]

- (b) The train moves at constant velocity  $v$  relative to an observer on the platform. The observer sees the light pulse take the path shown in **Fig. 2.2**.



Light pulse seen by the observer on the platform.

**Fig. 2.2**

- (i) Explain why the 'ticks' will be further apart for the observer on the platform than for the passenger on the train.

.....

.....

.....

..... [2]

- (ii) Use Pythagoras's theorem to show that, for the shaded triangle in **Fig. 2.2**,  $t = \frac{\tau}{\sqrt{1 - \frac{v^2}{c^2}}}$ .

[2]

6

- (c) Slow neutrons outside the nucleus have a half-life of 611 s. 'Fast' neutrons released in a fission reactor typically have speeds of up to  $5.4 \times 10^7 \text{ ms}^{-1}$ . Calculate the half-life of a neutron travelling at  $5.4 \times 10^7 \text{ ms}^{-1}$  as measured by a stationary observer.

half-life = ..... s [2]

- (d) It has been said that, 'from the point of view of a photon, it takes no time to cross the Universe'. Use the equation in (b)(ii) to explain this statement.

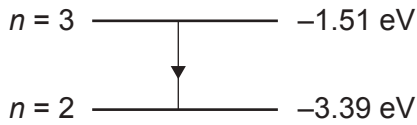
.....  
.....  
.....  
..... [2]

**7**  
**BLANK PAGE**

**PLEASE DO NOT WRITE ON THIS PAGE**

**Question 3 starts on page 8**

- 3 An electron in a hydrogen atom moves from the  $n = 3$  to the  $n = 2$  energy level as represented in **Fig. 3.1**.



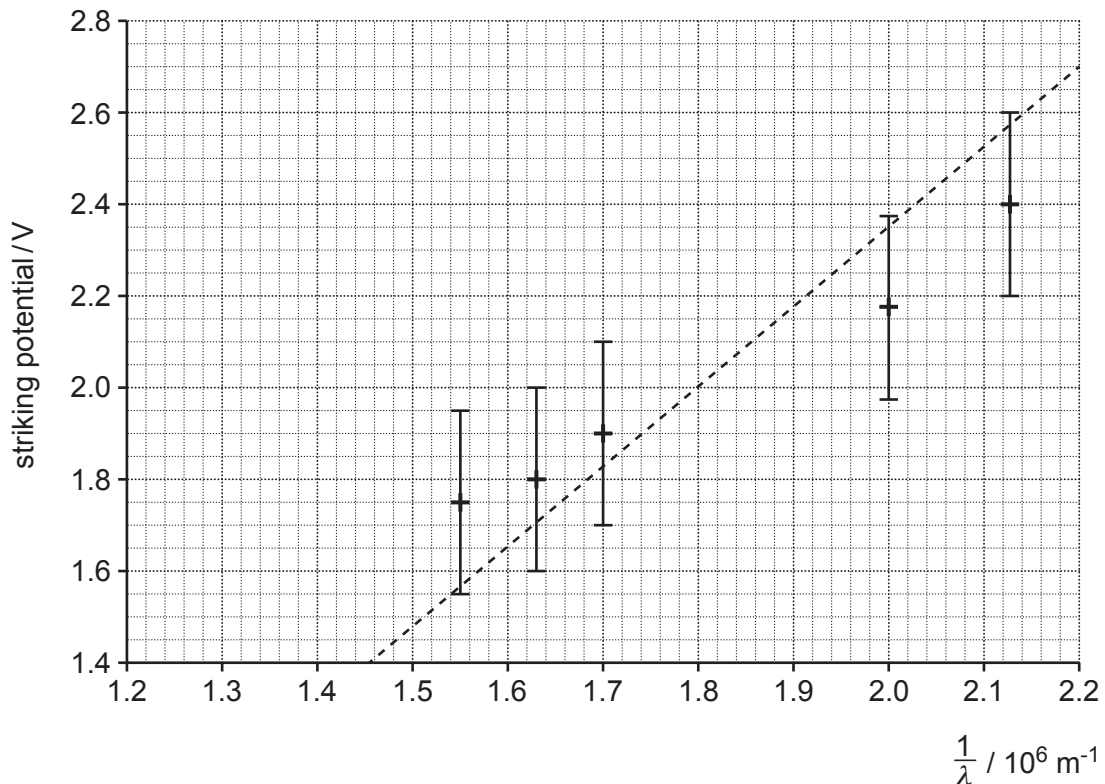
**Fig. 3.1**

- (a) Calculate the wavelength of the light released by the electron.

wavelength = ..... m [2]

- (b) The 'striking potential' of a light emitting diode (LED) is the potential difference across the diode when it just begins to glow. The energy transferred to an electron crossing this potential difference is equal to the energy of the photon released.

In an experiment to determine a value for the Planck constant, a student increases the potential difference across an LED and records the value when the LED just begins to glow. She repeats this for LEDs emitting different wavelengths and plots a graph of striking potential against  $\frac{1}{\lambda}$  as shown in **Fig. 3.2**. She included uncertainty in the potential difference readings. She used the manufacturer's data for the wavelength of light emitted.



**Fig. 3.2**



- (i) A 'steepest-possible' line has been drawn. Add a best-fit line to the graph.

[1]

- (ii) Show that the Planck constant is related to the gradient of the graph by the equation  $h = \text{gradient} \times \frac{e}{c}$  where  $e$  is the charge on an electron and  $c$  is the velocity of light.

[2]

- (iii) Find a value of the Planck constant from your best-fit line on **Fig. 3.2**. Show all your working.

Planck constant = ..... Js [3]

- (iv) The gradient of the 'steepest-possible' line is  $1.74 \times 10^{-6} \text{ V m}$ . Use this to calculate an estimate of the uncertainty of the value for the Planck constant in **(b)(iii)**. State your value of the Planck constant together with its uncertainty.

Planck constant = .....  $\pm$  ..... Js [3]

**10**  
**BLANK PAGE**

**PLEASE DO NOT WRITE ON THIS PAGE**

**Question 4 starts on page 11**

SECTION B

Answer **all** the questions.

4 This question is about imaging using a simple mobile phone camera.

(a) The lens system of the camera acts like a single lens of focal length 3.85 mm. Calculate the curvature added to waves when they pass through the lens.

curvature added to waves = ..... D [1]

(b) Use ideas about curvature of waves to explain why the lens cannot form an image of an object closer than or equal to 3.85 mm from the lens.

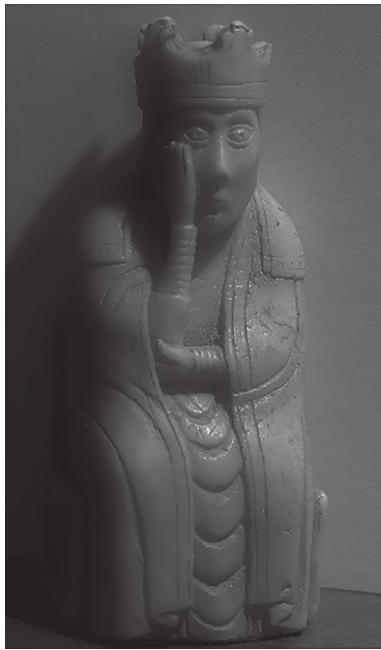
.....  
.....  
.....  
..... [2]

(c) The light-sensitive surface in the camera is fixed 3.85 mm behind the lens. The image recorded on this surface will be clear if the true position of the image is within  $\pm 0.1$  mm of the surface.

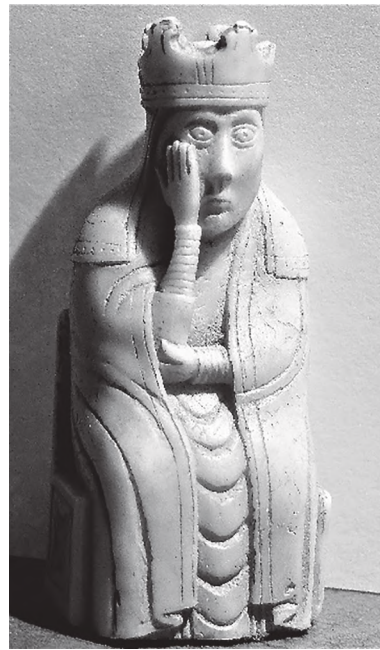
Explain, with calculations, why the image on the light-sensitive surface will be clear if the object is 1.2 m from the lens, but the image of an object 0.05 m from the lens will not be clear.

[3]

- (d) The camera is used to form an image of a resin chess piece **Fig. 4 a**. The chess piece is 0.090 m long. It is 0.35 m from the lens.



**Image recorded by camera  
Fig. 4 a**



**Processed image  
Fig. 4 b**

Calculate the length of the image of the chess piece on the light-sensitive surface.

length of image = ..... m [2]

- (e) There are  $12 \times 10^6$  square pixels on the rectangular light-sensitive surface. The dimensions of the surface are 4.89 mm  $\times$  3.65 mm.

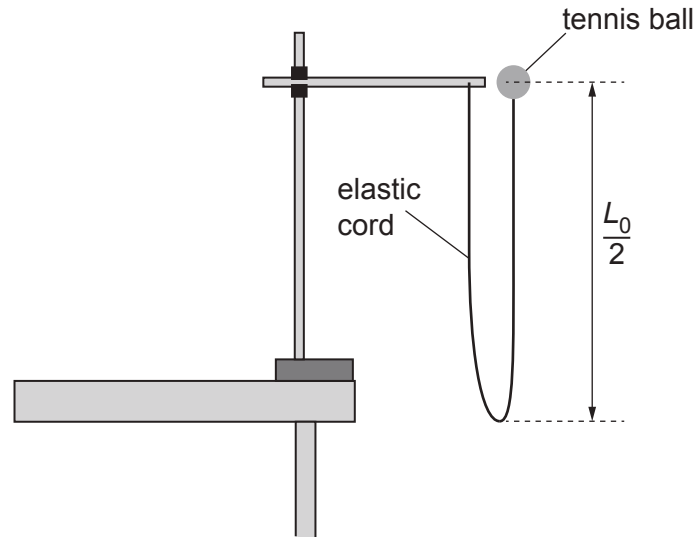
Use these data and your answer from (d) to calculate the resolution of the image.

resolution of image = ..... m [4]



- 5 A student uses the apparatus shown in **Fig. 5.1** to investigate 'bungee jumping', a sport where players drop from a high point such as a bridge while attached to a long elastic cord which stretches just enough to stop them hitting the ground.

The student measures the maximum extension of the cord when the tennis ball is dropped from the position shown.



**Fig. 5.1**

Data:

Unstretched length of elastic cord  $L_0 = 1.15 \text{ m}$

Mass of tennis ball =  $0.059 \text{ kg}$

The mass of the cord and the effects of air resistance are assumed to be negligible.

- (a) (i) The cord stretches to a length  $L_1 = 1.31 \text{ m}$  when the tennis ball hangs from it. Show that the force constant of the cord is about  $3.7 \text{ N m}^{-1}$ .

[1]

- (ii) Calculate the energy stored in the cord at this length.

energy stored = ..... J [2]

- (iii)\* The student releases the ball from the position shown in **Fig. 5.1**. It first stops when the length of the cord is stretched to  $L_2 = 1.78$  m.

Using ideas about the forces acting on the ball, describe **and** explain the changes in velocity and acceleration of the ball as it falls from the moment it is released to the moment the cord is at length  $L_2$ . State the length of the cord when the ball reaches maximum velocity and calculate a value for the maximum upwards acceleration. [6]

.....

.....

.....

.....

.....

.....

.....

.....

.....

.....

.....

.....

.....

.....

.....

.....

.....

.....

.....

.....

.....

.....

Additional answer space if required

.....

.....

.....

.....

.....

.....

.....

.....

.....

.....

- (iv) Suggest and explain how the student could reliably measure, to the nearest centimetre, the maximum extension of the cord at the instant the tennis ball stops descending.

.....  
.....  
.....  
.....  
..... [2]

- (b) In the sport of bungee jumping, the jumper is tied to a long bungee rope and leaps from a high point. The bungee rope stretches until the jumper stops falling and is pulled upwards. Bungee ropes are made of polymers which can extend elastically to far higher strains than metal cables. Use the microscopic structure of polymers and metals to explain this difference in behaviour and why such polymer-based ropes are suitable for bungee-jumping cords. You may include diagrams in your explanation.

.....  
.....  
.....  
.....  
.....  
.....  
.....  
.....  
.....  
.....  
..... [4]



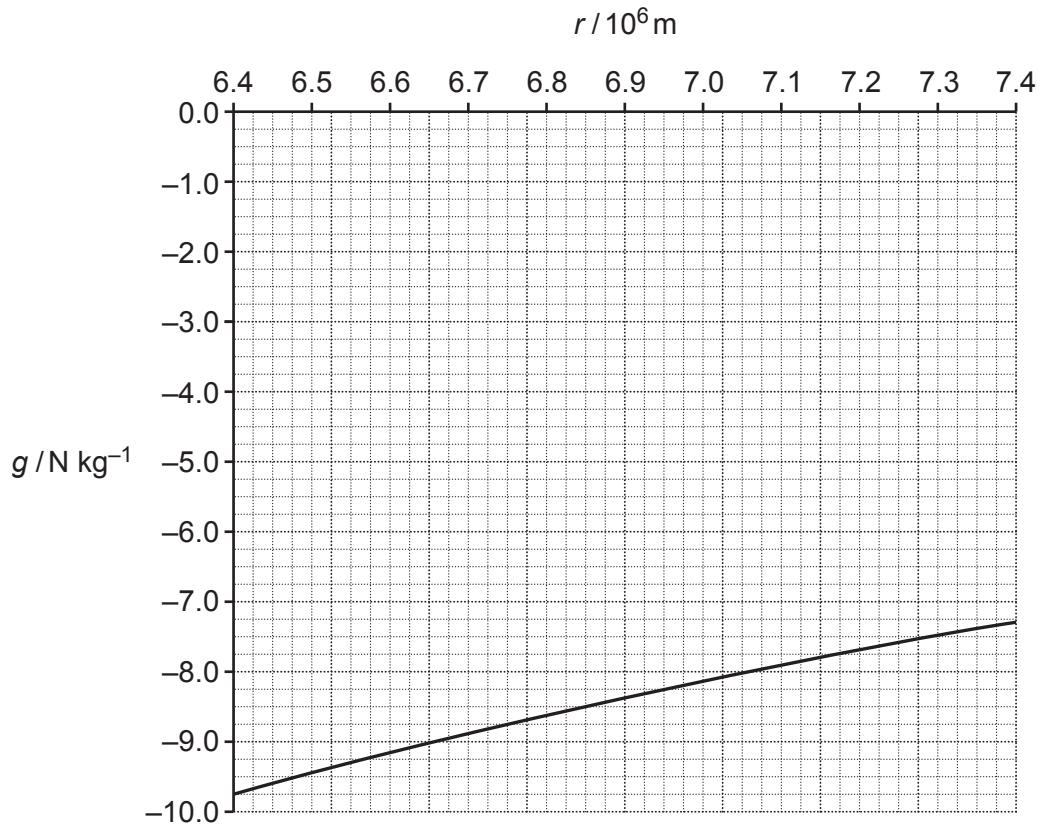
17  
BLANK PAGE

**PLEASE DO NOT WRITE ON THIS PAGE**

**Question 6 starts on page 18**

- 6 The satellite NOAA-20 was launched in November 2017. The satellite has an approximately circular orbit at an altitude of 825 km above the Earth's surface. The radius of the Earth =  $6.4 \times 10^6$  m.

**Fig. 6.1** shows how the gravitational field strength  $g$  of the Earth varies with distance  $r$  from the centre of the Earth.



**Fig. 6.1**

- (a) (i) The mass of the satellite is 2300 kg. Use the graph to show that the change in gravitational potential energy of the satellite between its launch and its position in orbit is about  $1.6 \times 10^{10}$  J. Explain your method.

[3]

- (ii) Use the value for the change in potential energy from (a)(i) to show that the mass of the Earth is about  $6 \times 10^{24}$  kg.

[3]

- (b) (i) Calculate the force on the satellite when orbiting at a height of 825 km above the Earth's surface.

force = ..... N [2]

- (ii) Calculate the time taken for one orbit of the satellite.

time = ..... s [3]



21  
BLANK PAGE

**PLEASE DO NOT WRITE ON THIS PAGE**

**Question 7 starts on page 22**

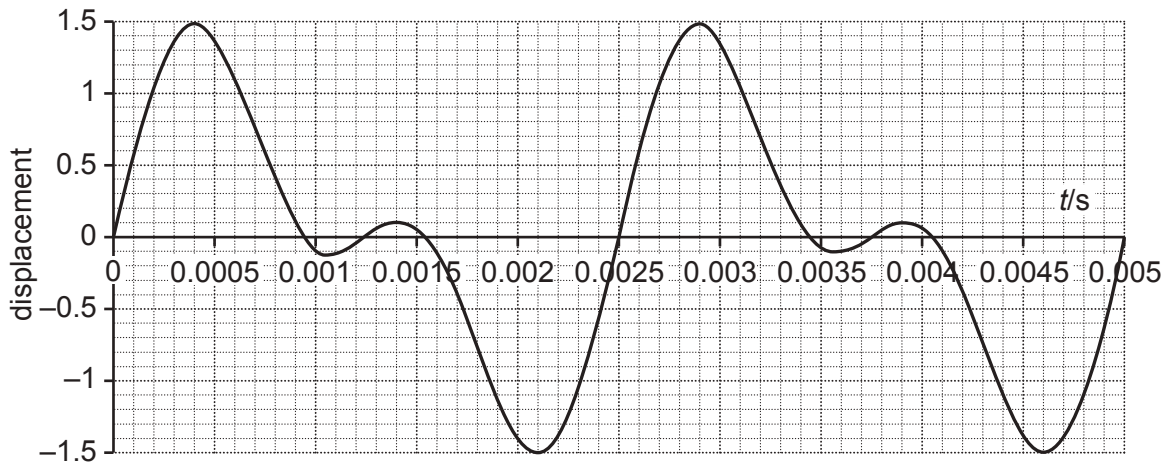
SECTION C

Answer **all** the questions.

This section is based on the Advance Notice Article, which is an insert.

7 This question is about some of the physics of the flute (lines 8–42).

**Fig. 7.1** represents the waveform of a note played on a flute-like instrument which acts as an open pipe. The waveform is a superposition of the first harmonic (fundamental) and the second harmonic.



**Fig. 7.1**

(a) Use the graph to find the frequency of the first harmonic.

frequency = ..... Hz [1]

(b) State the minimum sampling frequency required to accurately digitise the waveform. Explain your answer.

minimum sampling frequency = ..... Hz

Explanation:

.....

.....

.....

..... [3]

(c) The velocity of sound in air is proportional to the square root of the kelvin (absolute) temperature.

(i) State why the note produced by a flute will increase in frequency when the temperature of the air in the flute rises.

.....  
..... [1]

(ii) A flute sounds a note frequency 440 Hz when the temperature of the air in the tube is 285 K. Calculate the temperature rise needed for the same length tube to produce a note of frequency 445 Hz.

temperature rise = ..... K [2]

8 This question is about radiocarbon dating (lines 44–61).

(a) Carbon-14 decays by beta emission. Identify the particle **X** in the equation below and state how it ensures that lepton number and mass-energy is conserved in the decay.



.....  
.....  
.....  
.....  
.....  
.....  
..... [3]

(b) Radiocarbon dating uses a value for the half-life of  ${}^{14}\text{C} = 5.70 \times 10^3$  years.

The  ${}^{14}\text{C}/{}^{12}\text{C}$  ratio in living material is about  $1.4 \times 10^{-12}$ .

Calculate the  ${}^{14}\text{C}/{}^{12}\text{C}$  ratio from a sample of carbon taken from a 9000-year-old specimen, such as the ancient Chinese flute.

ratio = ..... [2]



(c)\* Explain why living plants growing near active volcanoes may have radiocarbon ages that suggest they have been dead for hundreds of years. Include a calculation to illustrate your reasoning, for example by calculating the effect of including 10% 'ancient carbon' with a vanishingly small  $^{14}\text{C}/^{12}\text{C}$  ratio in a sample of living material. Explain how such effect of ancient carbon on dating samples can be taken into account if living trees are found in the same area as the sample to be dated. [6]

.....

.....

.....

.....

.....

.....

.....

.....

.....

.....

.....

.....

.....

.....

.....

.....

.....

.....

.....

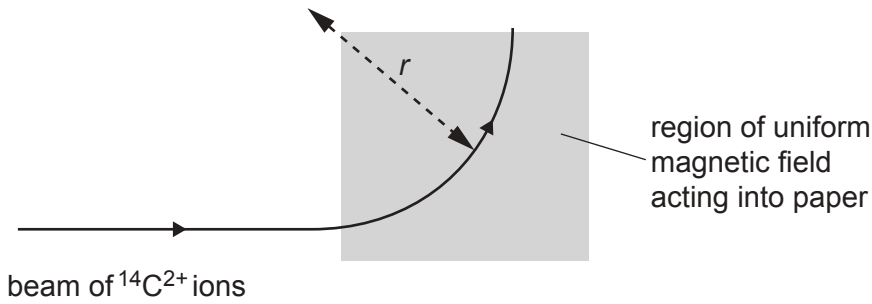
.....

.....

.....

9 This question is about accelerator mass spectrometry (lines 83–107).

- (a) A doubly-charged carbon-14 atom is accelerated through a potential difference of 4.2 MV and enters a uniform magnetic field of strength 0.72 T. Use the equation given in line 102 to find  $r$ , the radius of the circular arc it follows.



Data: mass of  $^{14}\text{C}^{2+}$  ion =  $2.33 \times 10^{-26}$  kg

radius of arc = ..... m [3]

- (b) Explain why it is important to ensure that no  $^{12}\text{CH}_2^{2+}$  and  $^{13}\text{CH}^+$  ions reach the second deflecting magnet (See Fig. 6 in the Advance Notice Article).

.....  
.....  
.....  
.....  
..... [2]

**END OF QUESTION PAPER**

**ADDITIONAL ANSWER SPACE**

If additional space is required, you should use the following lined page(s). The question number(s) must be clearly shown in the margin(s).

A large area of lined paper for writing, consisting of 25 horizontal dotted lines. A solid vertical line runs down the left side of the page, creating a margin. The rest of the page is open for writing.

A large rectangular area for writing, bounded by a solid vertical line on the left and horizontal dotted lines on the top, bottom, and right.



**Copyright Information**

OCR is committed to seeking permission to reproduce all third-party content that it uses in its assessment materials. OCR has attempted to identify and contact all copyright holders whose work is used in this paper. To avoid the issue of disclosure of answer-related information to candidates, all copyright acknowledgements are reproduced in the OCR Copyright Acknowledgements Booklet. This is produced for each series of examinations and is freely available to download from our public website ([www.ocr.org.uk](http://www.ocr.org.uk)) after the live examination series. If OCR has unwittingly failed to correctly acknowledge or clear any third-party content in this assessment material, OCR will be happy to correct its mistake at the earliest possible opportunity.

For queries or further information please contact The OCR Copyright Team, The Triangle Building, Shaftesbury Road, Cambridge CB2 8EA.

OCR is part of the Cambridge Assessment Group; Cambridge Assessment is the brand name of University of Cambridge Local Examinations Syndicate (UCLES), which is itself a department of the University of Cambridge.