

Please check the examination details below before entering your candidate information

Candidate surname

Other names

Centre Number

Candidate Number

--	--	--	--	--

--	--	--	--

## Pearson Edexcel Level 3 GCE

Time 1 hour 45 minutes

Paper  
reference

**9PH0/02**

### Physics

Advanced

**PAPER 2: Advanced Physics II**

**You must have:**

Scientific calculator, ruler

Total Marks

### Instructions

- Use **black** ink or ball-point pen.
- **Fill in the boxes** at the top of this page with your name, centre number and candidate number.
- Answer **all** questions.
- Answer the questions in the spaces provided  
– *there may be more space than you need.*

### Information

- The total mark for this paper is 90.
- The marks for **each** question are shown in brackets  
– *use this as a guide as to how much time to spend on each question.*
- In the question marked with an **asterisk (\*)**, marks will be awarded for your ability to structure your answer logically, showing how the points that you make are related or follow on from each other where appropriate.
- The list of data, formulae and relationships is printed at the end of this booklet.

### Advice

- Read each question carefully before you start to answer it.
- Try to answer every question.
- Check your answers if you have time at the end.
- You are advised to show your working in calculations, including units where appropriate.

Turn over ►

P69442A

©2022 Pearson Education Ltd.

Q:1/1/1/1/



  
Pearson

Answer ALL questions.

All multiple choice questions must be answered with a cross  $\boxtimes$  for the correct answer from A to D. If you change your mind about an answer, put a line through the box  $\boxtimes$  and then mark your new answer with a cross  $\boxtimes$ .

- 1 A skydiver steps out of an aeroplane and falls from rest, towards the ground. Her parachute opens a short time after she reaches terminal velocity.

Which of the following statements is correct for the vertical acceleration  $a$  of the skydiver until her parachute opens?

- A  $a$  decreases to zero
- B  $a$  increases to a maximum
- C  $a$  is constant and equal to  $g$
- D  $a$  is constant but less than  $g$

(Total for Question 1 = 1 mark)

- 2 Light travelling in glass of refractive index  $n_g$  is incident at a boundary with water of refractive index  $n_w$ . The critical angle for the boundary is  $C$ .

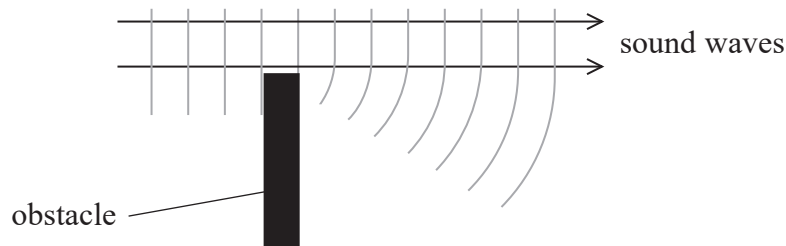
Which of the following expressions is correct for this boundary?

- A  $\sin C = \frac{1}{n_g}$
- B  $\sin C = \frac{n_w}{n_g}$
- C  $\sin C = \frac{n_g}{n_w}$
- D  $\sin C = \frac{1}{n_w}$

(Total for Question 2 = 1 mark)



- 3 Sound waves can diffract around obstacles as shown in the diagram.



The diffraction effect is

- A greater for large amplitude sound waves.
- B greater for low frequency sound waves.
- C independent of the frequency of the sound waves.
- D independent of the speed of the sound waves.

(Total for Question 3 = 1 mark)

- 4 Which of the following is a valid unit for luminosity?

- A  $\text{W m}^{-2}$
- B  $\text{N m s}^{-2}$
- C  $\text{J s}^{-1}$
- D  $\text{J m}^{-2}$

(Total for Question 4 = 1 mark)

- 5 Betelgeuse is a red giant star.

The surface temperature of Betelgeuse is  $T_B$  and the surface area of Betelgeuse is  $A_B$ .  
The surface temperature of the Sun is  $T_S$  and the surface area of the Sun is  $A_S$ .

Which row in the table shows a correct comparison of the surface temperature and surface area of Betelgeuse with those of the Sun?

	$T_B > T_S$	$A_B > A_S$
<input type="checkbox"/> A	false	false
<input type="checkbox"/> B	false	true
<input type="checkbox"/> C	true	false
<input type="checkbox"/> D	true	true

(Total for Question 5 = 1 mark)

6 In a particular radioactive decay, there is a mass decrease equivalent to 0.05 u.

Which of the following expressions gives the energy released in MeV?

- A  $\frac{0.05 \times 1.66 \times 10^{-27} \times (3 \times 10^8)^2}{1.6 \times 10^{-19}}$
- B  $\frac{0.05 \times 1.67 \times 10^{-27} \times (3 \times 10^8)^2}{1.6 \times 10^{-19}}$
- C  $\frac{0.05 \times 1.66 \times 10^{-27} \times (3 \times 10^8)^2}{1.6 \times 10^{-13}}$
- D  $\frac{0.05 \times 1.67 \times 10^{-27} \times (3 \times 10^8)^2}{1.6 \times 10^{-13}}$

(Total for Question 6 = 1 mark)

7 Air is trapped in a glass tube. When the air is forced into a smaller volume at a constant temperature, the pressure increases.

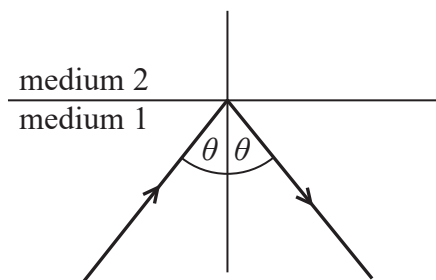
Which of the following statements about air molecules is a reason why the pressure the trapped air exerts on the tube increases?

- A The molecules have a greater mean kinetic energy.
- B The molecules make more frequent collisions with each other.
- C The molecules make more frequent collisions with the walls of the tube.
- D The molecules experience a greater change in momentum when they collide with the tube.

(Total for Question 7 = 1 mark)



- 8 Total internal reflection occurs when light is incident on the boundary between medium 1 and medium 2, as shown.



The refractive index of medium 1 is  $n_1$  and the refractive index of medium 2 is  $n_2$ .

The critical angle for the boundary is  $C$ .

Which row of the table is correct?

<input type="checkbox"/>	<b>A</b>	$\theta < C$	$n_1 > n_2$
<input type="checkbox"/>	<b>B</b>	$\theta < C$	$n_2 > n_1$
<input type="checkbox"/>	<b>C</b>	$\theta > C$	$n_1 < n_2$
<input type="checkbox"/>	<b>D</b>	$\theta > C$	$n_2 < n_1$

(Total for Question 8 = 1 mark)



- 9 The focal length and power of a converging glass lens are determined for the lens in air. The lens is then immersed in water.

Which row in the table shows how the focal length and power of the lens change?

	Focal length	Power of lens
<input type="checkbox"/> A	decreases	decreases
<input type="checkbox"/> B	decreases	increases
<input type="checkbox"/> C	increases	decreases
<input type="checkbox"/> D	increases	increases

(Total for Question 9 = 1 mark)

- 10 A student used a Geiger-Müller (GM) tube to determine a value for the background count. He recorded the count for 2 minutes, every 15 minutes, as shown in the table.

Time / min	Count for 2 min
0	34
15	39
30	28

The counts are not the same.

Which of the following is the reason for this?

- A The background count rate is random.
- B The counter is incorrectly calibrated.
- C The temperature has not stayed constant.
- D There is a systematic error in the measurement.

(Total for Question 10 = 1 mark)

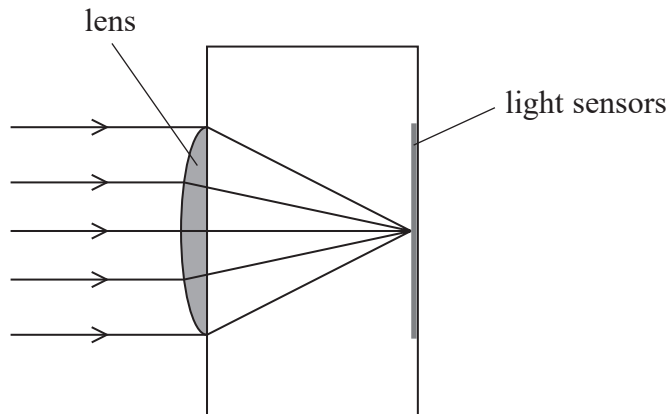


DO NOT WRITE IN THIS AREA

DO NOT WRITE IN THIS AREA

DO NOT WRITE IN THIS AREA

11 The lens of a mobile phone camera has a focal length of 4.25 mm. Light is focused onto light sensors at the back of the camera, as shown.



(a) The camera is initially focused on an object in the far distance.

Calculate the displacement of the lens that would be required to focus on an object 25.0 cm from the camera.

(4)

.....

.....

.....

.....

.....

.....

.....

.....

Displacement of lens = .....

(b) State why the lens and the light sensors in a mobile phone camera can be positioned a fixed distance apart.

(1)

.....

.....

(Total for Question 11 = 5 marks)



DO NOT WRITE IN THIS AREA

DO NOT WRITE IN THIS AREA

DO NOT WRITE IN THIS AREA

**12** In February 2021 the spacecraft Perseverance Rover landed on Mars. When the spacecraft was 11.0 km above the surface of Mars, parachutes opened to slow the descent. The parachutes detached from the spacecraft when it was 2.1 km above the surface of Mars.

Calculate the change in gravitational potential energy of the spacecraft during the parachute section of its descent.

- mass of spacecraft = 1030 kg
- mass of Mars =  $6.39 \times 10^{23}$  kg
- radius of Mars = 3390 km

.....

.....

.....

.....

.....

.....

.....

Change in gravitational potential energy of the spacecraft = .....

**(Total for Question 12 = 3 marks)**





DO NOT WRITE IN THIS AREA

DO NOT WRITE IN THIS AREA

DO NOT WRITE IN THIS AREA

13 Actinium-225 and bismuth-210 are radioactive isotopes. A sample of each isotope is prepared so that each sample has the same number of nuclei initially.

Explain why the activity of each sample would be the same after 10 days.

half-life of actinium-225 = 10 days

half-life of bismuth-210 = 5 days

.....

.....

.....

.....

.....

.....

.....

.....

.....

.....

.....

.....

.....

.....

.....

.....

.....

.....

.....

.....

.....

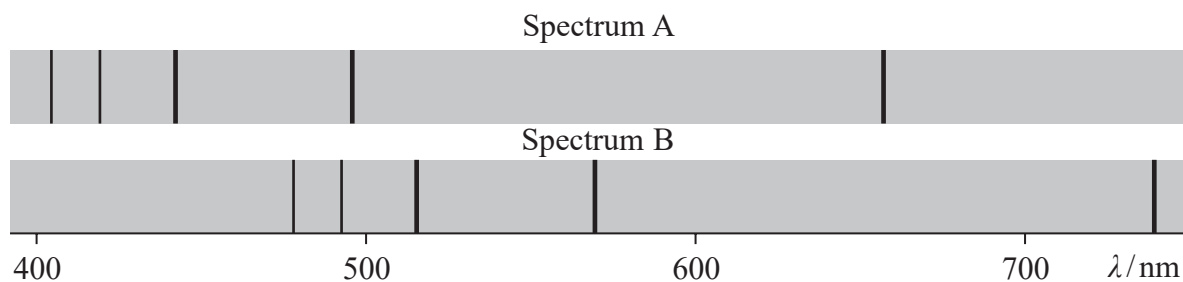
.....

.....

(Total for Question 13 = 4 marks)



- 14 The diagram shows the spectra produced by two stars. Spectrum A is produced from the light from the Sun and spectrum B is produced from the light from a distant star.



The dark lines are produced when light from the core of the star is absorbed by hydrogen atoms in the outer regions of the star. Light is then re-radiated, but in all directions, giving rise to the dark lines in the spectrum.

- (a) Explain why the long wavelength lines are shifted by a greater amount than the short wavelength lines.

(2)

- (b) One of the lines in the hydrogen spectrum occurs at a wavelength of 656 nm in the laboratory.

Explain what conclusion can be made from the shift in wavelength of this line in spectrum B. Your answer should include a calculation.

(4)

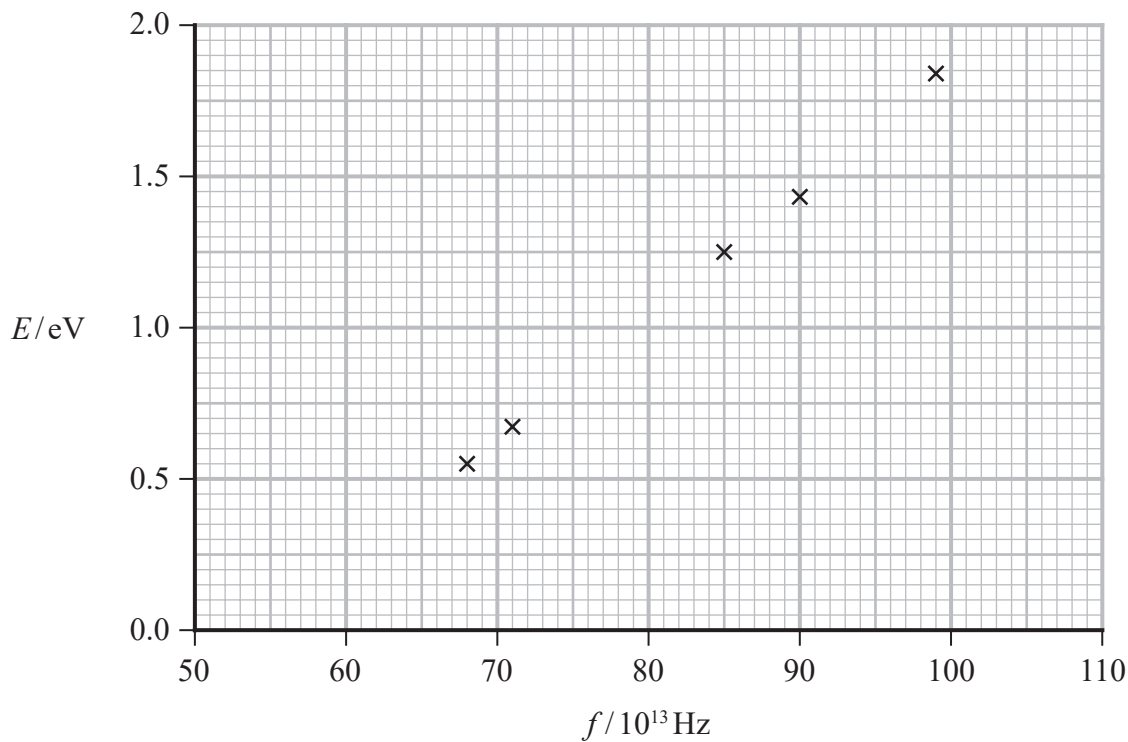
(Total for Question 14 = 6 marks)





- 16 In an investigation of the photoelectric effect, electromagnetic radiation of frequency  $f$  was directed onto a metal plate. The maximum kinetic energy  $E$  of the photoelectrons emitted from the metal plate was determined. The procedure was repeated for a range of frequencies.

The graph shows how  $E$  depended upon  $f$ .



- (a) Determine a value for the Planck constant,  $h$ , in Js.

(4)

$h = \dots\dots\dots \text{ Js}$



(b) The table gives data for different metal surfaces.

Metal surface	Work function/eV
Caesium	2.0
Calcium	2.9
Magnesium	3.7

Deduce which metal was being used in the investigation.

(3)

.....

.....

.....

.....

.....

.....

.....

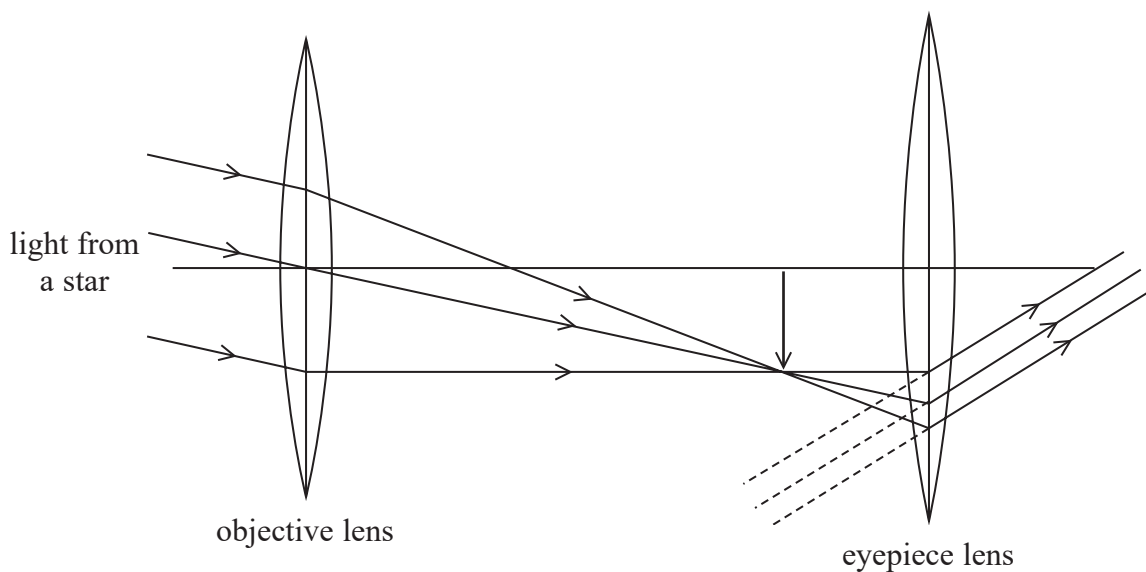
.....

(Total for Question 16 = 7 marks)

DO NOT WRITE IN THIS AREA



- 17 A simple astronomical refracting telescope consists of two converging lenses. Light from a star is brought to a focus by the objective lens and then viewed through an eyepiece lens as shown.



- (a) (i) In the arrangement shown, the final image is formed at infinity.

Explain why the separation of the objective and eyepiece lenses is equal to the sum of their focal lengths.

(2)

.....

.....

.....

.....

.....

.....

- (ii) State why the final image is inverted.

(1)

.....

.....



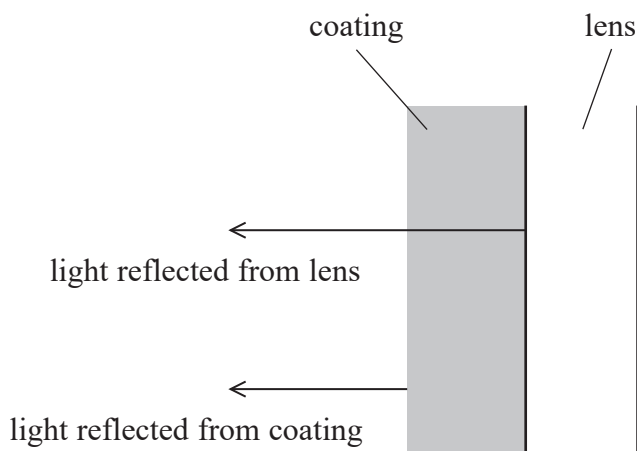
DO NOT WRITE IN THIS AREA

DO NOT WRITE IN THIS AREA

DO NOT WRITE IN THIS AREA

(b) Glass lenses used for optical instruments often have an anti-reflective coating. The coating is a thin layer of a transparent substance with refractive index  $n_c$ .

Light is reflected from the coating surface and from the lens surface as shown. The reflected light interferes destructively.



When a single-layer coating is used, the coating thickness is chosen to eliminate reflections for green light, which is in the middle of the visible spectrum.

(i) Calculate the minimum thickness  $d$  of the coating required for the reflection of green light to be eliminated.

frequency of green light =  $6.00 \times 10^{14}$  Hz

$n_c = 1.38$

(4)

$d = \dots\dots\dots$



(ii) State why white light reflected from coated lenses is seen as purple.

(1)

(Total for Question 17 = 8 marks)

DO NOT WRITE IN THIS AREA

DO NOT WRITE IN THIS AREA

DO NOT WRITE IN THIS AREA





DO NOT WRITE IN THIS AREA

DO NOT WRITE IN THIS AREA

DO NOT WRITE IN THIS AREA

18 The harp is a musical instrument with many strings, as shown.



(Source: © Peter Voronov/Shutterstock)

All the strings are under tension.

The strings on one type of harp are made from nylon of density  $1070 \text{ kg m}^{-3}$ . One string has a diameter of  $1.14 \text{ mm}$ .

(a) (i) Show that the mass per unit length  $\mu$  of the string is about  $1.1 \times 10^{-3} \text{ kg m}^{-1}$ . (2)

.....

.....

.....

.....

.....



(ii) When the middle of the string is plucked, a note of frequency 440 Hz is produced.

Calculate the tension in the string.

length of string = 41.0 cm

(4)

.....

.....

.....

.....

.....

.....

.....

.....

.....

.....

Tension in string = .....

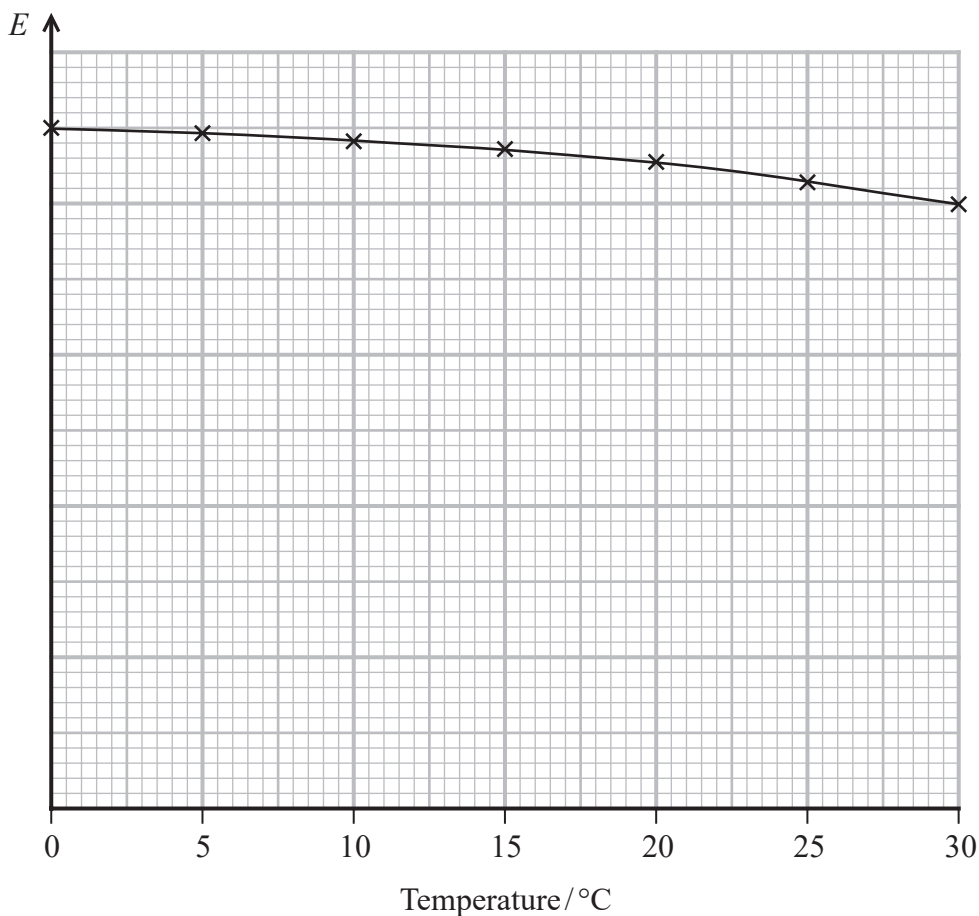
DO NOT WRITE IN THIS AREA

DO NOT WRITE IN THIS AREA

DO NOT WRITE IN THIS AREA



(b) The graph shows how the Young modulus  $E$  of the nylon varies with temperature.



When the harp is played, the temperature of the string increases.

Explain how this temperature change would affect the frequency of the note produced when the string is plucked.

(3)

.....

.....

.....

.....

.....

.....

.....

.....

(Total for Question 18 = 9 marks)



19 A fine-beam tube is used for investigating properties of electrons.

An electron beam is produced inside a spherical glass bulb. The bulb contains neon gas at a very low pressure.

(a) The neon gas is at a pressure of 1.25 Pa and a temperature of 25 °C.

Calculate the number  $N$  of neon atoms inside the bulb.

bulb diameter = 16.0 cm

(4)

.....

.....

.....

.....

.....

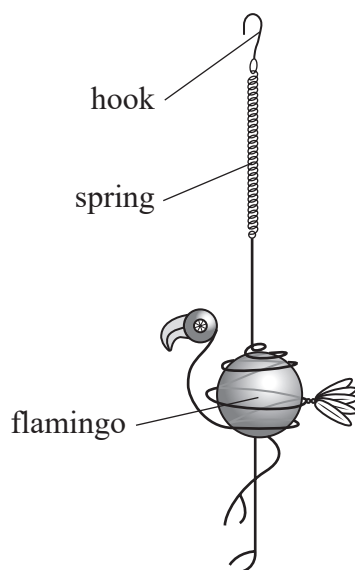
.....

$N =$  .....





- 20 A garden ornament consists of a metal flamingo suspended from a spring as shown. The spring is hung from a support using the hook.



- (a) The mass of the flamingo is 65 g. When the flamingo is suspended vertically the spring extends by 8.5 cm.

The flamingo is pulled downwards by a small extra displacement and then released. The flamingo undergoes simple harmonic motion vertically.

The instructions state that the flamingo will oscillate with a frequency of 2.5 Hz.

Deduce whether this statement is correct.

(5)

.....

.....

.....

.....

.....

.....

.....

.....

.....

.....



(b) After being set into vertical oscillation, the flamingo comes to rest after a short time.

Explain why the flamingo comes to rest.

(2)

(c) In a slight breeze the flamingo swings from side to side and behaves as a simple pendulum.

(i) Show that the period of oscillation of the flamingo pendulum is about 2.2 s.

pendulum length = 1.25 m

(2)

(ii) The amplitude of oscillation of the flamingo pendulum is 7.5 cm.

Calculate the maximum velocity of the flamingo pendulum.

(3)

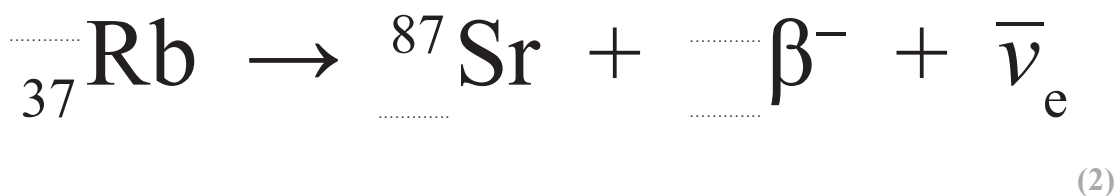
Maximum velocity = .....

**(Total for Question 20 = 12 marks)**



21 A hundred years ago, a method to determine the age of certain rocks was developed. An unstable isotope of rubidium is present in some rocks when they form. Over time the rubidium decays to a stable isotope of strontium.

- (a) Rubidium decays to strontium via  $\beta^-$  decay. Complete the nuclear equation representing the decay.



- (b) A sample of Moon rock from the Apollo 11 mission was analysed to determine the age of the rock. When the sample was analysed the number of rubidium atoms was  $N_R$  and the number of strontium atoms was  $N_S$ .

As strontium atoms have all been produced from the decay of rubidium, the original number of rubidium atoms in the sample was  $(N_R + N_S)$ .

From the analysis of the sample, it was determined that  $\frac{N_S}{N_R} = 0.0532$

Deduce whether this ratio is consistent with the Earth and the Moon forming at the same time.

age of Earth =  $4.5 \times 10^9$  years

half-life of rubidium isotope =  $4.88 \times 10^{10}$  years

(5)





(c) Give a reason why the half-life of the rubidium isotope is hard to determine. (1)

.....

.....

(d) Recent investigations suggest that the half-life of the rubidium isotope may be larger than the traditionally accepted value.

Explain how this would affect the ages obtained by this dating method. (2)

.....

.....

.....

**(Total for Question 21 = 10 marks)**

**TOTAL FOR PAPER = 90 MARKS**



### List of data, formulae and relationships

Acceleration of free fall	$g = 9.81 \text{ m s}^{-2}$	(close to Earth's surface)
Boltzmann constant	$k = 1.38 \times 10^{-23} \text{ J K}^{-1}$	
Coulomb law constant	$k = \frac{1}{4\pi\epsilon_0} = 8.99 \times 10^9 \text{ N m}^2 \text{ C}^{-2}$	
Electron charge	$e = -1.60 \times 10^{-19} \text{ C}$	
Electron mass	$m_e = 9.11 \times 10^{-31} \text{ kg}$	
Electronvolt	$1 \text{ eV} = 1.60 \times 10^{-19} \text{ J}$	
Gravitational constant	$G = 6.67 \times 10^{-11} \text{ N m}^2 \text{ kg}^{-2}$	
Gravitational field strength	$g = 9.81 \text{ N kg}^{-1}$	(close to Earth's surface)
Permittivity of free space	$\epsilon_0 = 8.85 \times 10^{-12} \text{ F m}^{-1}$	
Planck constant	$h = 6.63 \times 10^{-34} \text{ J s}$	
Proton mass	$m_p = 1.67 \times 10^{-27} \text{ kg}$	
Speed of light in a vacuum	$c = 3.00 \times 10^8 \text{ m s}^{-1}$	
Stefan-Boltzmann constant	$\sigma = 5.67 \times 10^{-8} \text{ W m}^{-2} \text{ K}^{-4}$	
Unified atomic mass unit	$u = 1.66 \times 10^{-27} \text{ kg}$	

#### Mechanics

Kinematic equations of motion

$$s = \frac{(u + v)t}{2}$$

$$v = u + at$$

$$s = ut + \frac{1}{2}at^2$$

$$v^2 = u^2 + 2as$$

Forces

$$\Sigma F = ma$$

$$g = \frac{F}{m}$$

$$W = mg$$

$$\text{moment of force} = Fx$$

Momentum

$$p = mv$$

Work, energy and power

$$\Delta W = F\Delta s$$

$$E_k = \frac{1}{2}mv^2$$

$$\Delta E_{\text{grav}} = mg\Delta h$$

$$P = \frac{E}{t}$$

$$P = \frac{W}{t}$$

$$\text{efficiency} = \frac{\text{useful energy output}}{\text{total energy input}}$$

$$\text{efficiency} = \frac{\text{useful power output}}{\text{total power input}}$$



## Electric circuits

Potential difference

$$V = \frac{W}{Q}$$

Resistance

$$R = \frac{V}{I}$$

Electrical power and energy

$$P = VI$$

$$P = I^2R$$

$$P = \frac{V^2}{R}$$

$$W = VIt$$

Resistivity

$$R = \frac{\rho l}{A}$$

Current

$$I = \frac{\Delta Q}{\Delta t}$$

$$I = nqvA$$

## Materials

Density

$$\rho = \frac{m}{V}$$

Stokes' law

$$F = 6\pi\eta rv$$

Hooke's law

$$\Delta F = k\Delta x$$

Young modulus

$$\text{Stress } \sigma = \frac{F}{A}$$

$$\text{Strain } \varepsilon = \frac{\Delta x}{x}$$

$$E = \frac{\sigma}{\varepsilon}$$

Elastic strain energy

$$\Delta E_{\text{el}} = \frac{1}{2}F\Delta x$$

## Waves and particle nature of light

Wave speed

$$v = f\lambda$$

Speed of a transverse wave on a string

$$v = \sqrt{\frac{T}{\mu}}$$

Intensity of radiation

$$I = \frac{P}{A}$$

Power of a lens

$$P = \frac{1}{f}$$

$$P = P_1 + P_2 + P_3 + \dots$$

Thin lens equation

$$\frac{1}{u} + \frac{1}{v} = \frac{1}{f}$$

Magnification for a lens

$$m = \frac{\text{image height}}{\text{object height}} = \frac{v}{u}$$

Diffraction grating

$$n\lambda = d \sin \theta$$

Refractive index

$$n_1 \sin \theta_1 = n_2 \sin \theta_2$$

$$n = \frac{c}{v}$$

Critical angle

$$\sin C = \frac{1}{n}$$

Photon model

$$E = hf$$

Einstein's photoelectric equation

$$hf = \phi + \frac{1}{2}mv_{\text{max}}^2$$

de Broglie wavelength

$$\lambda = \frac{h}{p}$$



## Further mechanics

Impulse

$$F\Delta t = \Delta p$$

Kinetic energy of a non-relativistic particle

$$E_k = \frac{p^2}{2m}$$

Motion in a circle

$$v = \omega r$$

$$T = \frac{2\pi}{\omega}$$

$$F = ma = \frac{mv^2}{r}$$

$$a = \frac{v^2}{r}$$

$$a = r\omega^2$$

$$F = mr\omega^2$$

## Fields

Coulomb's law

$$F = \frac{Q_1 Q_2}{4\pi\epsilon_0 r^2}$$

Electric field strength

$$E = \frac{F}{Q}$$

$$E = \frac{Q}{4\pi\epsilon_0 r^2}$$

$$E = \frac{V}{d}$$

Electric potential

$$V = \frac{Q}{4\pi\epsilon_0 r}$$

Capacitance

$$C = \frac{Q}{V}$$

Energy stored in a capacitor

$$W = \frac{1}{2}QV$$

$$W = \frac{1}{2}CV^2$$

$$W = \frac{1}{2}\frac{Q^2}{C}$$

Capacitor discharge

$$Q = Q_0 e^{-t/RC}$$

$$I = I_0 e^{-t/RC}$$

$$V = V_0 e^{-t/RC}$$

$$\ln Q = \ln Q_0 - \frac{t}{RC}$$

$$\ln I = \ln I_0 - \frac{t}{RC}$$

$$\ln V = \ln V_0 - \frac{t}{RC}$$

In a magnetic field

$$F = BIl \sin \theta$$

$$F = Bqv \sin \theta$$

Faraday's and Lenz's laws

$$\mathcal{E} = \frac{-d(N\phi)}{dt}$$

Root-mean-square values

$$V_{\text{rms}} = \frac{V_0}{\sqrt{2}}$$

$$I_{\text{rms}} = \frac{I_0}{\sqrt{2}}$$

DO NOT WRITE IN THIS AREA

DO NOT WRITE IN THIS AREA

DO NOT WRITE IN THIS AREA



## Nuclear and particle physics

In a magnetic field

$$r = \frac{p}{BQ}$$

## Thermodynamics

Heating

$$\Delta E = mc\Delta\theta$$

$$\Delta E = L\Delta m$$

Molecular kinetic theory

$$\frac{1}{2}m\langle c^2 \rangle = \frac{3}{2}kT$$

$$pV = \frac{1}{3}Nm\langle c^2 \rangle$$

Ideal gas equation

$$pV = NkT$$

Stefan-Boltzmann law

$$L = \sigma AT^4$$

$$L = 4\pi r^2\sigma T^4$$

Wien's law

$$\lambda_{\max} T = 2.898 \times 10^{-3} \text{ m K}$$

## Space

Intensity

$$I = \frac{L}{4\pi d^2}$$

Redshift of electromagnetic radiation

$$z = \frac{\Delta\lambda}{\lambda} \approx \frac{\Delta f}{f} \approx \frac{v}{c}$$

Cosmological expansion

$$v = H_0 d$$

## Nuclear radiation

Mass-energy

$$\Delta E = c^2\Delta m$$

Radioactive decay

$$A = \lambda N$$

$$\frac{dN}{dt} = -\lambda N$$

$$\lambda = \frac{\ln 2}{t_{1/2}}$$

$$N = N_0 e^{-\lambda t}$$

$$A = A_0 e^{-\lambda t}$$

## Gravitational fields

Gravitational force

$$F = \frac{Gm_1 m_2}{r^2}$$

Gravitational field strength

$$g = \frac{Gm}{r^2}$$

Gravitational potential

$$V_{\text{grav}} = \frac{-Gm}{r}$$

## Oscillations

Simple harmonic motion

$$F = -kx$$

$$a = -\omega^2 x$$

$$x = A \cos \omega t$$

$$v = -A\omega \sin \omega t$$

$$a = -A\omega^2 \cos \omega t$$

$$T = \frac{1}{f} = \frac{2\pi}{\omega}$$

$$\omega = 2\pi f$$

Simple harmonic oscillator

$$T = 2\pi \sqrt{\frac{m}{k}}$$

$$T = 2\pi \sqrt{\frac{l}{g}}$$



DO NOT WRITE IN THIS AREA

DO NOT WRITE IN THIS AREA

DO NOT WRITE IN THIS AREA

**BLANK PAGE**



DO NOT WRITE IN THIS AREA

DO NOT WRITE IN THIS AREA

DO NOT WRITE IN THIS AREA

**BLANK PAGE**



P 6 9 4 4 2 A 0 3 1 3 2

DO NOT WRITE IN THIS AREA

DO NOT WRITE IN THIS AREA

DO NOT WRITE IN THIS AREA

**BLANK PAGE**

