

Write your name here

Surname

Other names

Pearson Edexcel
Level 3 GCE

Centre Number

--	--	--	--	--

Candidate Number

--	--	--	--

Physics

Advanced Subsidiary
Paper 1: Core Physics I

Tuesday 23 May 2017 – Morning
Time: 1 hour 30 minutes

Paper Reference

8PH0/01

You must have:

Ruler

Total Marks

Instructions

- Use **black** ink or ball-point pen.
- **Fill in the boxes** at the top of this page with your name, centre number and candidate number.
- Answer **all** questions in Sections A and B.
- Answer the questions in the spaces provided – *there may be more space than you need.*

Information

- The total mark for this paper is 80.
- The marks for **each** question are shown in brackets – *use this as a guide as to how much time to spend on each question.*
- You may use a scientific calculator.
- In questions marked with an **asterisk** (*), marks will be awarded for your ability to structure your answer logically, showing how the points that you make are related or how they follow on from each other where appropriate.

Advice

- Read each question carefully before you start to answer it.
- Try to answer every question.
- Check your answers if you have time at the end.
- You are advised to show your working in calculations including units where appropriate.

Turn over ►

P49870A

©2017 Pearson Education Ltd.

1/1/1/



Pearson

SECTION A

Answer ALL questions.

All multiple choice questions must be answered with a cross in the box for the correct answer from A to D. If you change your mind about an answer, put a line through the box and then mark your new answer with a cross .

1 Which of the following is **not** a vector quantity?

- A acceleration
- B distance
- C momentum
- D velocity

(Total for Question 1 = 1 mark)

2 Which of the following can be used to determine the magnitude of velocity?

- A area under an acceleration-time graph
- B area under a velocity-time graph
- C gradient of an acceleration-time graph
- D gradient of a velocity-time graph

(Total for Question 2 = 1 mark)

DO NOT WRITE IN THIS AREA

DO NOT WRITE IN THIS AREA

DO NOT WRITE IN THIS AREA



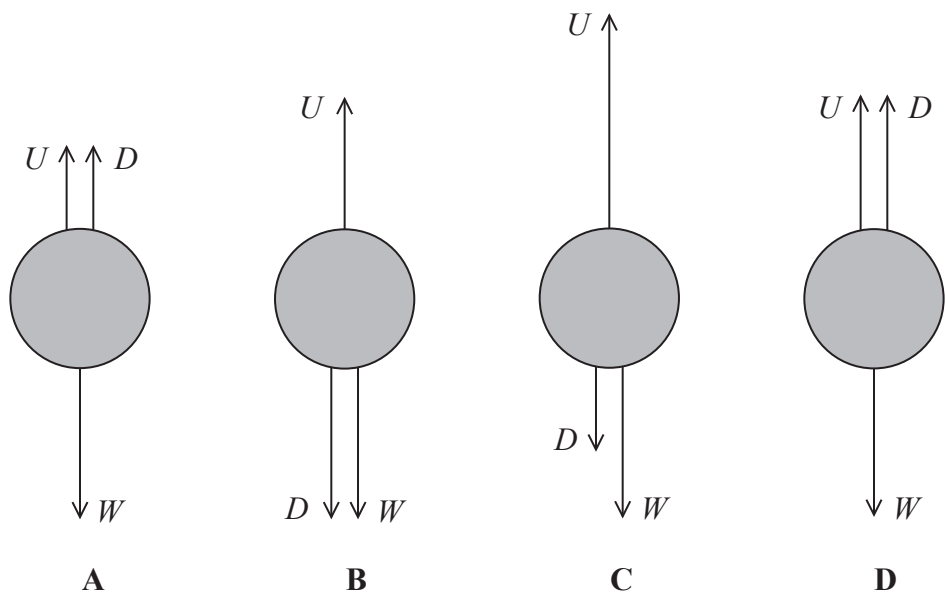
DO NOT WRITE IN THIS AREA

DO NOT WRITE IN THIS AREA

DO NOT WRITE IN THIS AREA

3 A small plastic bead is released below the surface of water and rises towards the surface. The diagrams show the forces acting on the bead as it rises with constant velocity.

U = upthrust, D = drag, W = weight



Which diagram correctly represents the directions and relative magnitudes of the forces?

- A
- B
- C
- D

(Total for Question 3 = 1 mark)

4 A hair dryer is used for 3 minutes. The operating current is 6A.

What charge flows in this time?

- A 0.03 C
- B 2 C
- C 18 C
- D 1080 C

(Total for Question 4 = 1 mark)



5 A student is deriving an equation for the total resistance of resistors in series.

She writes the following steps but does not justify them.

Step 1 $V = V_1 + V_2$

Step 2 *but* $V = IR$

Step 3 *so* $IR = I_1R_1 + I_2R_2$

Step 4 *but* $I = I_1 = I_2$

Step 5 *Therefore* $R = R_1 + R_2$

Which step is justified using conservation of charge?

- A Step 1
- B Step 2
- C Step 3
- D Step 4

(Total for Question 5 = 1 mark)

6 A ball is kicked, giving it an initial velocity v at an angle of 35° to the vertical. The ball remains in the air for a time t .

Which of the following gives the distance travelled over the ground?

- A $vt \cos 35^\circ$
- B $\frac{v \cos 35^\circ}{t}$
- C $vt \sin 35^\circ$
- D $\frac{v \sin 35^\circ}{t}$

(Total for Question 6 = 1 mark)



- 7 A series circuit consists of two resistors with resistances R_1 and R_2 and a battery of potential difference V .

Which of the following gives the potential difference across the resistor with resistance R_2 ?

- A $\frac{R_1}{R_2} V$
- B $\frac{R_2}{R_1} V$
- C $\frac{R_1}{R_1 + R_2} V$
- D $\frac{R_2}{R_1 + R_2} V$

(Total for Question 7 = 1 mark)

- 8 A light dependent resistor and a negative temperature coefficient thermistor are connected in series.

Which of the following combinations of illumination and temperature will result in the highest combined resistance?

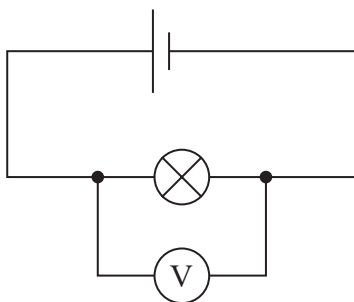
- A dark and cold
- B dark and hot
- C light and cold
- D light and hot

(Total for Question 8 = 1 mark)



9 A torch uses a 1.5 V dry cell. Over time, the light intensity produced by the torch decreases as the cell 'goes flat'.

(a) Student A sets up the following circuit in an attempt to measure the e.m.f. of a cell.



Explain why the voltmeter reading will **not** be the e.m.f. of the cell.

(2)



DO NOT WRITE IN THIS AREA

DO NOT WRITE IN THIS AREA

DO NOT WRITE IN THIS AREA

(b) Student B correctly determined the e.m.f. of an unused cell as 1.63 V and its internal resistance as 1.15 Ω .

He repeated this after the cell had been used for several weeks. When a voltmeter was connected directly across the used cell, the reading was 1.36 V.

A bulb of resistance 5.92 Ω was then connected across the used cell and the reading fell to 0.84 V.

Student A suggests that the cell goes flat as it is used because the e.m.f. decreases. Student B suggests it is because the internal resistance increases.

Determine whether either student is correct about the changes in the cell as it goes flat.

(5)

.....

.....

.....

.....

.....

.....

.....

.....

.....

.....

.....

.....

.....

.....

.....

.....

.....

.....

.....

.....

.....

.....

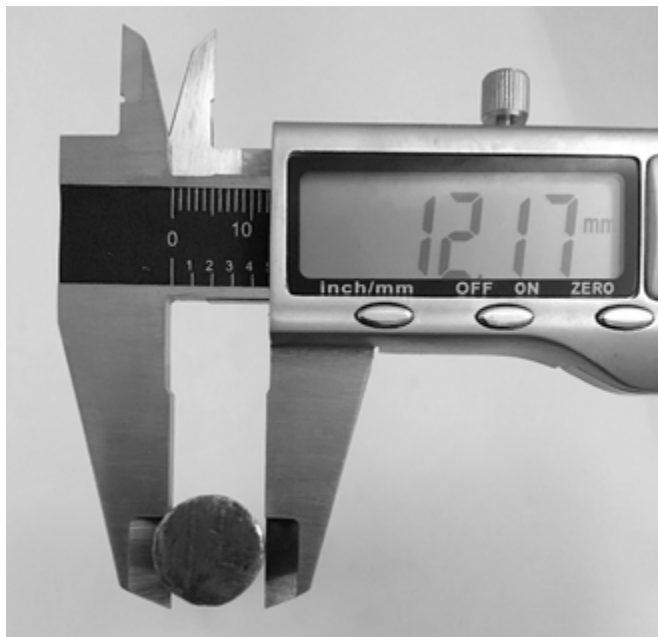
.....

(Total for Question 9 = 7 marks)



- 10 The photographs show two types of caliper being used, in turn, to measure the diameter of an iron rod.

Caliper 1



diameter = 12.17 mm

Caliper 2



diameter = 12.2 mm

DO NOT WRITE IN THIS AREA

DO NOT WRITE IN THIS AREA

DO NOT WRITE IN THIS AREA



DO NOT WRITE IN THIS AREA

DO NOT WRITE IN THIS AREA

DO NOT WRITE IN THIS AREA

(a) State the resolution of each of the calipers and compare their use for measuring the diameter of the rod.

(4)

.....

.....

.....

.....

.....

.....

.....

.....

(b) The value obtained from caliper 2 was used to determine the cross-sectional area of the rod and the electrical properties of the rod were investigated.

Calculate the drift velocity for the charge carriers in the rod when the current in the rod is 1.9 A.

diameter of rod = 12.2 mm

charge carrier density for iron = $1.7 \times 10^{29} \text{ m}^{-3}$

(3)

.....

.....

.....

.....

Drift velocity =

(Total for Question 10 = 7 marks)



11 A motorist received a speeding penalty notice, from the police, for a short journey along 120 m of road.

- (a) The car's specification states that the minimum time for the car to accelerate from 0 to 60 miles per hour is 9.5 seconds.

Show that the maximum value for the average acceleration of the car over 9.5 s is about 3 m s^{-2} .

1 mile = 1600 m

(2)

.....

.....

.....

.....

- (b) The police recorded a maximum speed for the car of 20 m s^{-1} .

The motorist knows that the speed at the start and at the end of the 120 m journey was zero.

Assume that the car had:

- constant positive acceleration, equal to the value in part (a), for the first 60 m of the journey
- constant negative acceleration of the same magnitude for the final 60 m of the journey.

Determine whether the motorist should challenge the penalty notice.

(3)

.....

.....

.....

.....

.....

.....

.....



DO NOT WRITE IN THIS AREA

DO NOT WRITE IN THIS AREA

DO NOT WRITE IN THIS AREA

(c) Explain why the assumptions about the acceleration in (b) may **not** be correct in practice. (2)

.....

.....

.....

.....

.....

(Total for Question 11 = 7 marks)



- 12 A student investigates how the efficiency of an electric motor being used to raise a load varies with the weight of the load.

The time taken for the motor to lift a load from the floor to the maximum height was measured using a stopwatch. The load was varied by adding weights, each marked '1.00N'.

- (a) The spreadsheet shows the student's results (columns A to E) and calculation (column F).

	A	B	C	D	E	F
	load / N	current / A	potential difference / V	time / s	change in height / m	efficiency
1						
2	2.00	1.8	4.6	1.52	0.825	0.13
3	3.00	1.9	4.4	2.05	0.825	0.14
4	4.00	2.1	4.3	2.19	0.825	0.17
5	5.00	2.3	5.1	2.26	0.825	0.16
6	6.00	2.5	4.5	2.48	0.825	0.18
7	7.00	3.1	5.2	2.17	0.825	0.17
8	8.00	3.7	4.8	2.68	0.825	0.14
9	9.00	3.9	4.8	3.36	0.825	0.12
10	10.00	4.2	4.7	3.72	0.825	0.11

Explain how the value in cell F4 has been determined using the results obtained.

(3)

.....

.....

.....

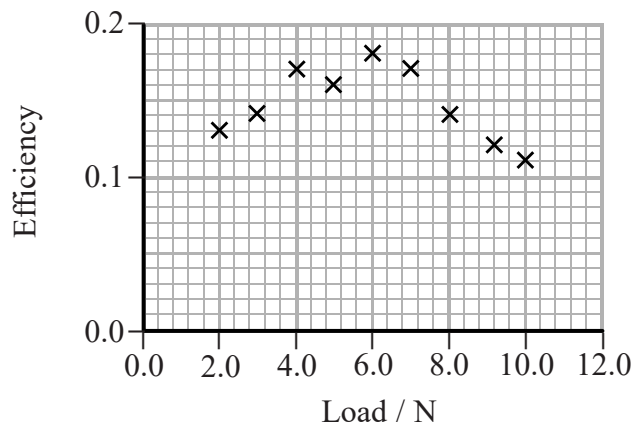
.....

.....

.....



(b) The student uses the spreadsheet to plot a graph.



The student concludes that ‘the efficiency of the motor increases with the weight of the load up to a maximum when the load is 6.00 N’.

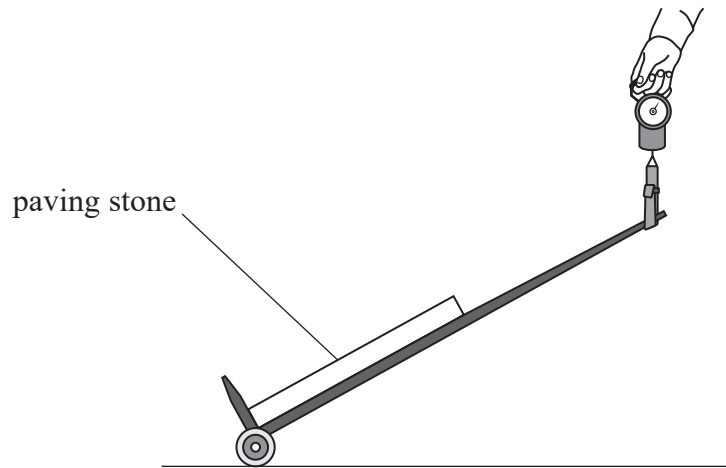
Critique the student’s investigation and conclusion.

(5)

(Total for Question 12 = 8 marks)



13 A gardener used a trolley to move a paving stone.



A force meter was attached to the handle of the trolley.

The gardener recorded the following measurements when the trolley was at rest in the position shown in the diagram.

mass of trolley and paving stone = 18.5 kg

length of trolley = 97 cm

force on handle = 50 N

(a) Determine the distance of the centre of gravity of the loaded trolley from the wheels.

(3)

Distance =

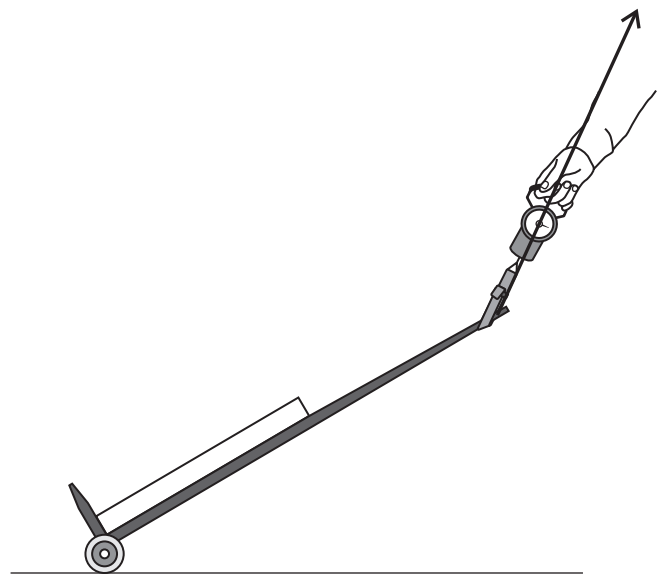


DO NOT WRITE IN THIS AREA

DO NOT WRITE IN THIS AREA

DO NOT WRITE IN THIS AREA

(b) The gardener then pulled the trolley and measured the applied force while the trolley was moving.



The direction of the applied force is 25° to the vertical, as shown by the arrow.

(i) Calculate the magnitude of the applied force.

Assume the magnitude of the vertical component of the force remains at 50 N.

(2)

.....

.....

.....

.....

Magnitude of applied force =

(ii) The gardener continues to walk and pulls the trolley a distance of 15 m in a time of 4.2 s.

Calculate the power developed while pulling the trolley.

(3)

.....

.....

.....

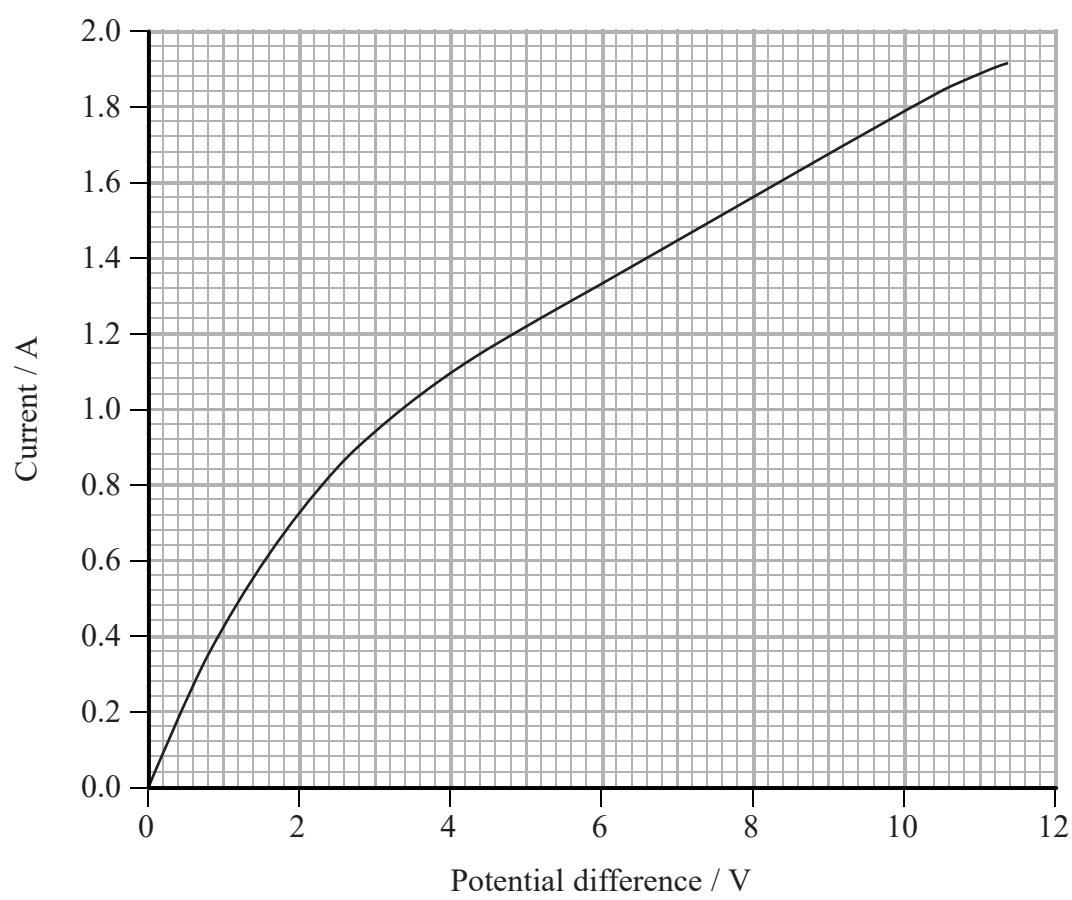
.....

Power =

(Total for Question 13 = 8 marks)



14 The graph shows how the current through a filament bulb varies with the potential difference across the bulb.



(a) Determine the resistance of the filament bulb when the potential difference is 7.0 V.

(2)

.....

.....

.....

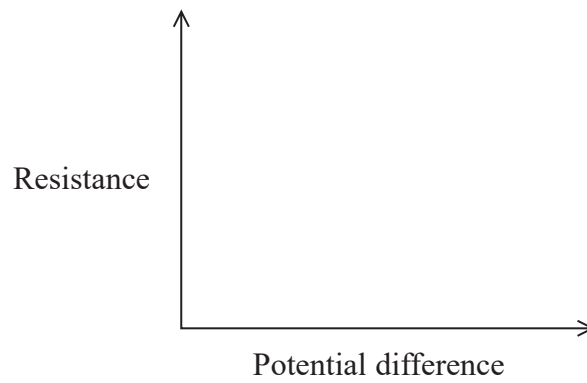
.....

Resistance =



(b) Sketch a graph of resistance against potential difference for the filament bulb over the range 0 V to 7 V.

(3)



*(c) Explain the variation of resistance with potential difference for the filament bulb in terms of particle behaviour.

(6)

.....

.....

.....

.....

.....

.....

.....

.....

.....

.....

.....

.....

.....

.....

.....

.....

.....

.....

.....

.....

.....

.....

(Total for Question 14 = 11 marks)

TOTAL FOR SECTION A = 56 MARKS



SECTION B

Answer ALL questions.

15 (a) Solar sails are a form of propulsion for spacecraft. The sail is made of a thin sheet of reflective material. When photons of light from the Sun reflect from the material a force is exerted on the sail. The photons reflect with a momentum equal to their initial momentum but in the opposite direction.

(i) Show that a single photon of frequency 1.5×10^{15} Hz has a momentum of about 3×10^{-27} N s.

(2)

(ii) Hence determine the momentum transferred to the solar sail by this photon.

(1)

Momentum transferred =

(b) An alternative method of producing a momentum change is being investigated. Researchers have suggested that 'larger changes in momentum could be produced by directing laser light at graphene oxide'. Electrons are emitted from the graphene oxide surface, resulting in a force being exerted on the graphene oxide in the opposite direction.

A researcher has suggested that one possible mechanism for the emission of the electrons is the photoelectric effect.

DO NOT WRITE IN THIS AREA

DO NOT WRITE IN THIS AREA

DO NOT WRITE IN THIS AREA



- (i) Show that the maximum velocity for a photoelectron emitted after absorption of a photon of light of frequency 1.5×10^{15} Hz is about 8×10^5 m s⁻¹.

work function of graphene oxide = 6.7×10^{-19} J

(3)

- (ii) Hence calculate the momentum of the photoelectron.

(2)

Momentum of photoelectron =

- (c) Explain whether the suggestion in (b) that ‘larger changes in momentum could be produced by directing laser light at graphene oxide’ is true.

(2)

(Total for Question 15 = 10 marks)

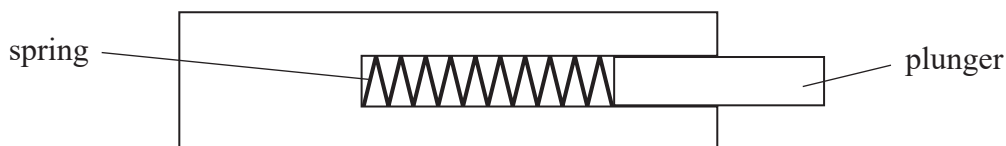
DO NOT WRITE IN THIS AREA

DO NOT WRITE IN THIS AREA

DO NOT WRITE IN THIS AREA

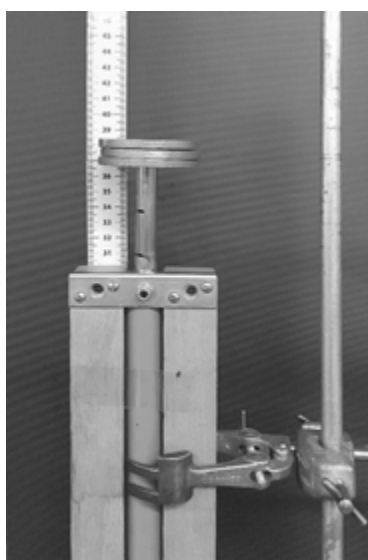


- 16 A school dynamics trolley has a plunger attached to a spring. When the plunger is pushed in, the spring is compressed. When the plunger is released, it is pushed back out by the spring.



- (a) A student investigated the spring to determine whether it obeys Hooke's law in compression.

The trolley was placed vertically in front of a scale and weights were added in turn to the top of the plunger, as shown. The position of the end of the plunger was recorded each time.



The recorded results are shown in the table.

Weight / N	Position of plunger / cm	
0.00	37.3	
2.00	37.0	
4.00	36.6	
6.00	36.2	
8.00	35.9	
10.00	35.5	

- (i) Use the results to plot a graph of weight against compression. You may use the additional column for your processed data.

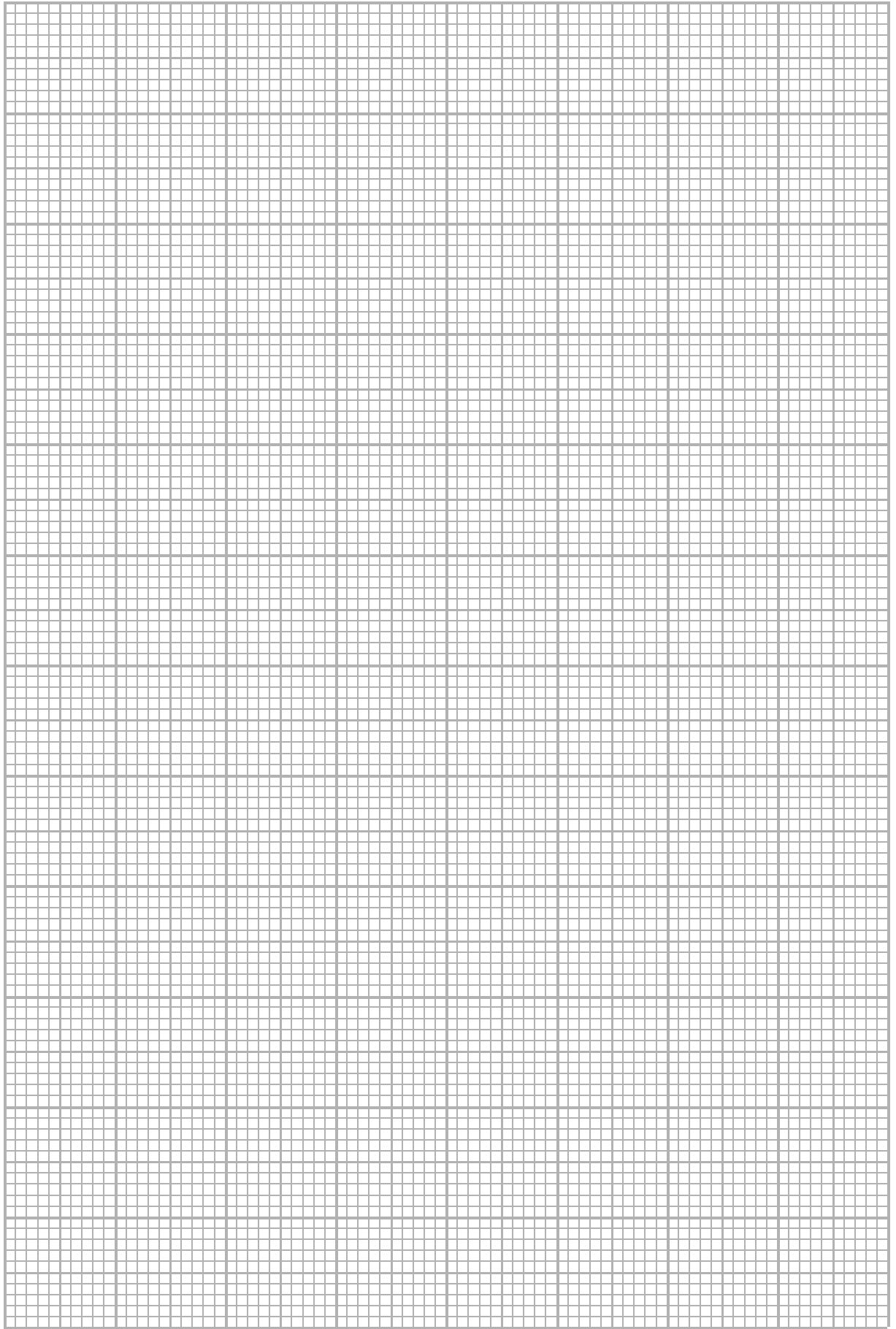
(5)



DO NOT WRITE IN THIS AREA

DO NOT WRITE IN THIS AREA

DO NOT WRITE IN THIS AREA



- (ii) The student concluded that the spring obeys Hooke's law with a spring constant of about 600 N m^{-1} .

Determine whether the student's conclusion is justified.

(4)

.....

.....

.....

.....

.....

.....

.....

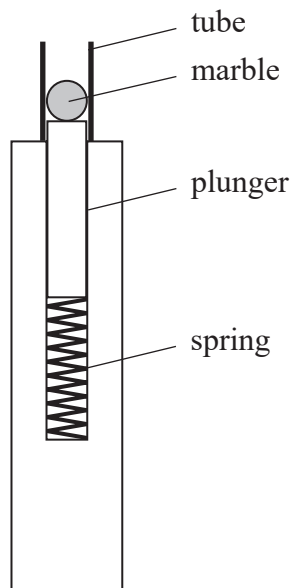
.....

DO NOT WRITE IN THIS AREA

DO NOT WRITE IN THIS AREA

DO NOT WRITE IN THIS AREA

- (b) Another trolley was adapted by placing a tube around the plunger so that it could be used to launch marbles. A marble was placed in the tube while the plunger was depressed. When the plunger was released it launched the marble.



Determine the maximum possible launch velocity of the marble when the spring is compressed by 5.4 cm.

spring constant = 610 N m^{-1}

mass of marble = 4.1 g

mass of plunger = 35.4 g

(4)

Maximum launch velocity =

- (c) The launch velocity was measured using a light gate and data logger. This produced a smaller value for the launch velocity than that calculated in (b).

Give a reason why this method produced a smaller value for the launch velocity.

(1)

(Total for Question 16 = 14 marks)

TOTAL FOR SECTION B = 24 MARKS

TOTAL FOR PAPER = 80 MARKS

Every effort has been made to contact copyright holders to obtain their permission for the use of copyright material. Pearson Education Ltd. will, if notified, be happy to rectify any errors or omissions and include any such rectifications in future editions.



DO NOT WRITE IN THIS AREA

DO NOT WRITE IN THIS AREA

DO NOT WRITE IN THIS AREA

List of data, formulae and relationships

Acceleration of free fall	$g = 9.81 \text{ m s}^{-2}$	(close to Earth's surface)
Electron charge	$e = -1.60 \times 10^{-19} \text{ C}$	
Electron mass	$m_e = 9.11 \times 10^{-31} \text{ kg}$	
Electronvolt	$1 \text{ eV} = 1.60 \times 10^{-19} \text{ J}$	
Gravitational field strength	$g = 9.81 \text{ N kg}^{-1}$	(close to Earth's surface)
Planck constant	$h = 6.63 \times 10^{-34} \text{ J s}$	
Speed of light in a vacuum	$c = 3.00 \times 10^8 \text{ m s}^{-1}$	

Mechanics

Kinematic equations of motion

$$s = \frac{(u + v)t}{2}$$

$$v = u + at$$

$$s = ut + \frac{1}{2}at^2$$

$$v^2 = u^2 + 2as$$

Forces

$$\Sigma F = ma$$

$$g = \frac{F}{m}$$

$$W = mg$$

$$\text{moment of force} = Fx$$

Momentum

$$p = mv$$

Work, energy and power

$$\Delta W = F\Delta s$$

$$E_k = \frac{1}{2}mv^2$$

$$\Delta E_{\text{grav}} = mg\Delta h$$

$$P = \frac{E}{t}$$

$$P = \frac{W}{t}$$

$$\text{efficiency} = \frac{\text{useful energy output}}{\text{total energy input}}$$

$$\text{efficiency} = \frac{\text{useful power output}}{\text{total power input}}$$

Electric circuits

Potential difference

$$V = \frac{W}{Q}$$

Resistance

$$R = \frac{V}{I}$$

Electrical power and energy

$$P = VI$$

$$P = I^2R$$

$$P = \frac{V^2}{R}$$

$$W = VIt$$

Resistivity

$$R = \frac{\rho l}{A}$$

Current

$$I = \frac{\Delta Q}{\Delta t}$$

$$I = nqvA$$



Materials

Density

$$\rho = \frac{m}{V}$$

Stokes' law

$$F = 6\pi\eta r v$$

Hooke's law

$$F = k\Delta x$$

Pressure

$$p = \frac{F}{A}$$

Young modulus

$$\text{Stress } \sigma = \frac{F}{A}$$

$$\text{Strain } \varepsilon = \frac{\Delta x}{x}$$

$$E = \frac{\sigma}{\varepsilon}$$

Elastic strain energy

$$\Delta E_{\text{el}} = \frac{1}{2}F\Delta x$$

Waves and Particle Nature of Light

Wave speed

$$v = f\lambda$$

Speed of a transverse wave on a string

$$v = \sqrt{\frac{T}{\mu}}$$

Intensity of radiation

$$I = \frac{P}{A}$$

Power of a lens

$$P = \frac{1}{f}$$

$$P = P_1 + P_2 + P_3 + \dots$$

Thin lens equation

$$\frac{1}{u} + \frac{1}{v} = \frac{1}{f}$$

Magnification for a lens

$$m = \frac{\text{image height}}{\text{object height}} = \frac{v}{u}$$

Diffraction grating

$$n\lambda = d \sin \theta$$

Refractive index

$$n_1 \sin \theta_1 = n_2 \sin \theta_2$$

$$n = \frac{c}{v}$$

Critical angle

$$\sin C = \frac{1}{n}$$

Photon model

$$E = hf$$

Einstein's photoelectric equation

$$hf = \phi + \frac{1}{2}mv_{\text{max}}^2$$

de Broglie wavelength

$$\lambda = \frac{h}{p}$$



DO NOT WRITE IN THIS AREA

DO NOT WRITE IN THIS AREA

DO NOT WRITE IN THIS AREA

BLANK PAGE



DO NOT WRITE IN THIS AREA

DO NOT WRITE IN THIS AREA

DO NOT WRITE IN THIS AREA

BLANK PAGE



DO NOT WRITE IN THIS AREA

DO NOT WRITE IN THIS AREA

DO NOT WRITE IN THIS AREA

BLANK PAGE

